

MHR RF RECEIVER - REMOVAL/INSTALLATION

1. General

- A. This procedure has two tasks:
 - (1) Remove the MHR RF Receiver.
 - (2) Install the MHR RF Receiver.

2. MHR RF Receiver - Removal
(Ref. Figure 401)

- A. Access
 - (1) Location Zone
 - (a) 200 - Upper Fuselage
- B. Removal Procedure
 - (1) Open the following circuit breaker(s) and attach a "DO NOT CLOSE" tag

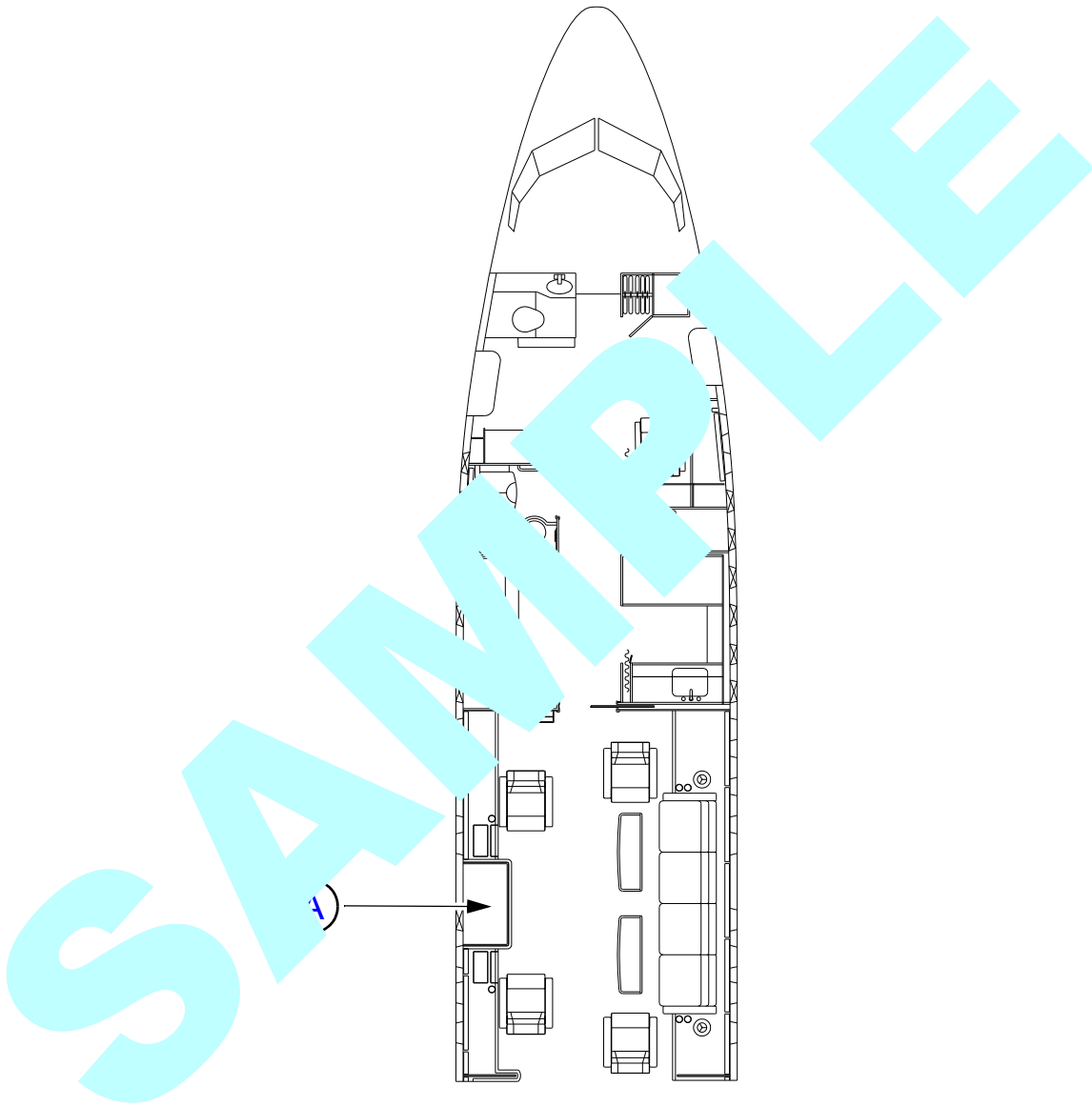
Panel	Circuit Breaker Title		Location
P6-1	IFE RF REMOTE	XXX	XXX
P6-11	FWD MCMU	XXX	XXX
P6-11	AFT MCMU	XXX	XXX

- (2) Gain access to the MHR RF Receiver.
- (3) Remove four fasteners securing the MHR RF receiver to mounting brackets.
- (4) Disconnect the electrical connectors.
- (5) Put protective caps on disconnected electrical connectors.
- (6) Remove the MHR RF Receiver.

Effectivity: XXXX

XXXX XXXX-MMS

44-10-05

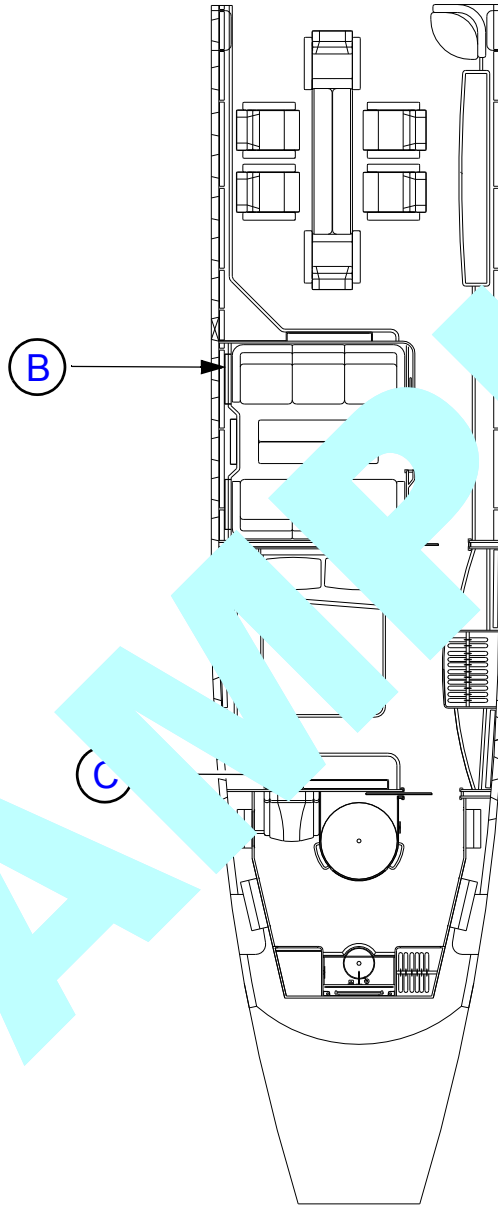


MHR RF Receiver - Removal/Installation
Figure 401 (Sheet 1)

Copyright © 2008 by AEC, Inc. All rights reserved.

Effectivity: XXXX
XXXX XXXX-MMS

44-10-05

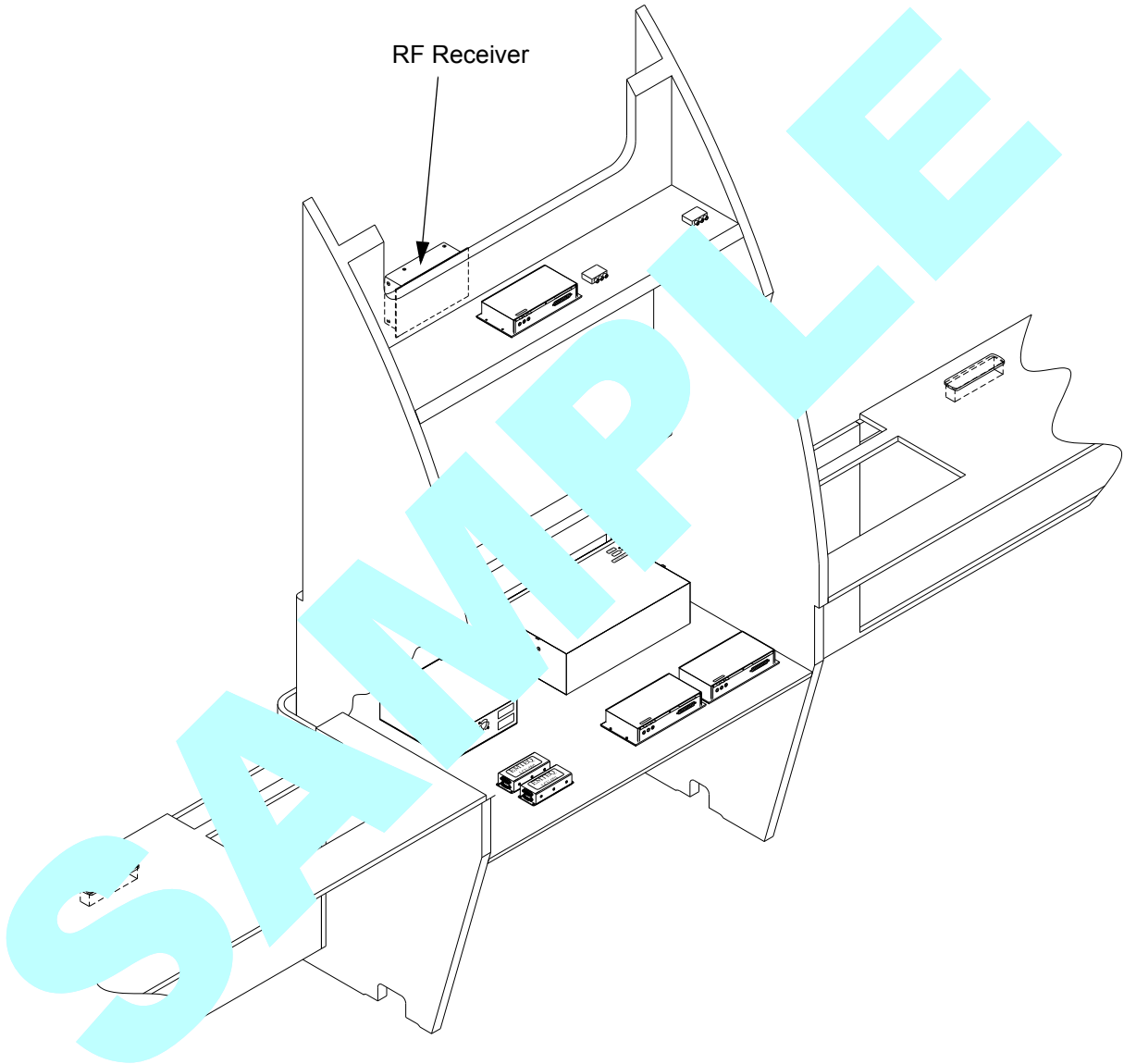


MHR RF Receiver - Removal/Installation
Figure 401 (Sheet 2)

Copyright © 2008 by AEC, Inc. All rights reserved.

Effectivity: XXXX
XXXX XXXX-MMS

44-10-05



LO Entertainment Cabinet
(View Looking Outboard)

A

MHR RF Receiver - Removal/Installation
Figure 401 (Sheet 3)

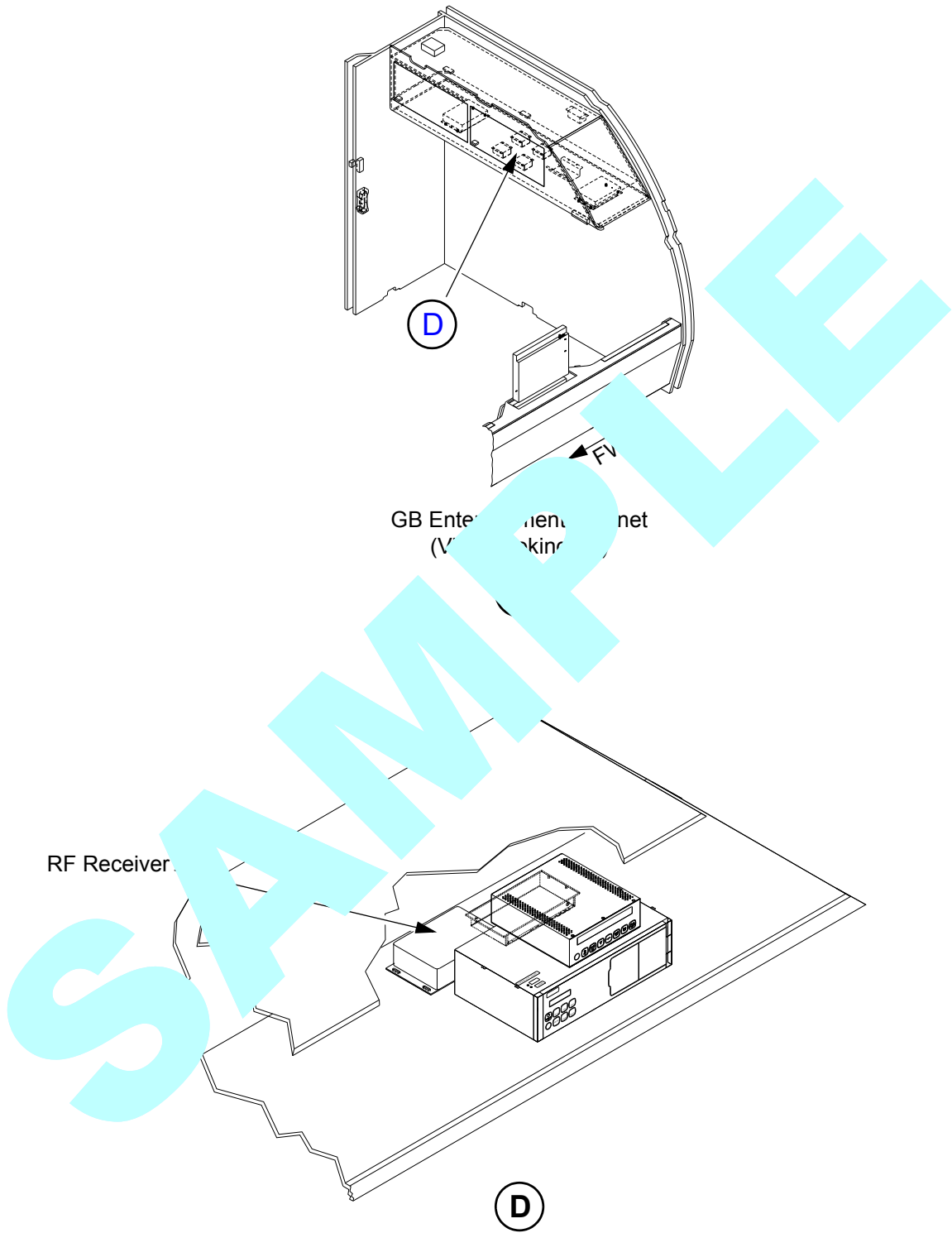
Copyright © 2008 by AEC, Inc. All rights reserved.

Effectivity: XXXX

XXXX

XXXX-MMS

44-10-05



MHR RF Receiver - Removal/Installation
Figure 401 (Sheet 4)

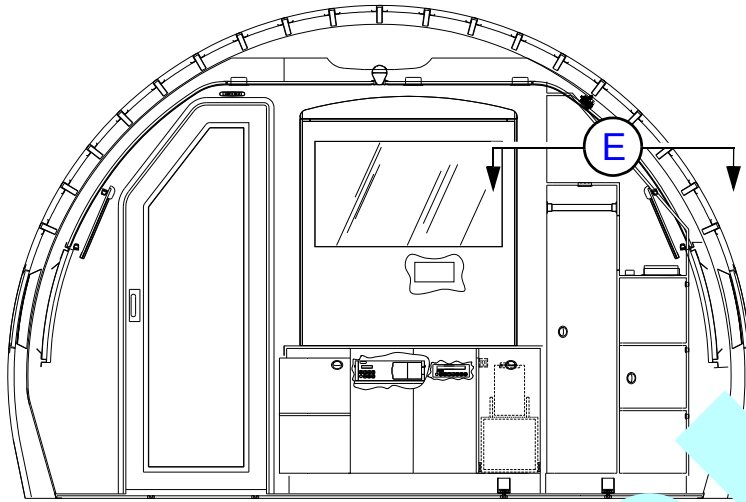
Copyright © 2008 by AEC, Inc. All rights reserved.

Effectivity: XXXX

XXXX

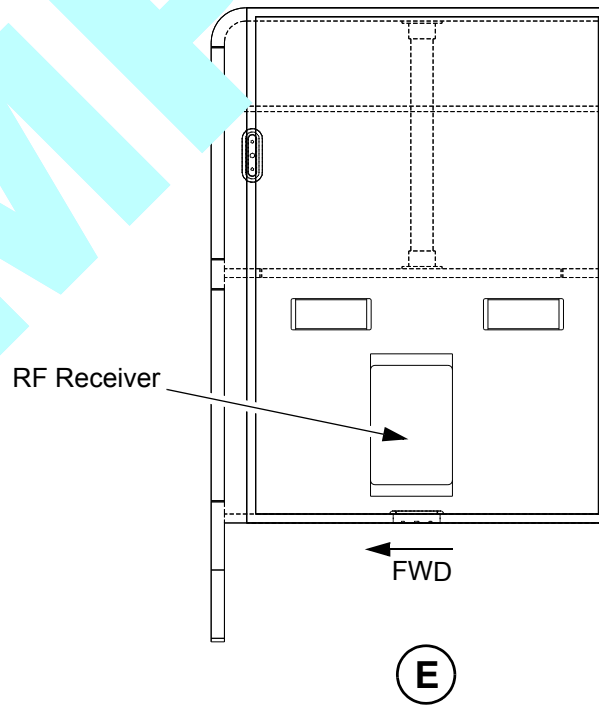
XXXX-MMS

44-10-05



MB Aft Bulkhead
(View Looking Aft)

(C)



MHR RF Receiver - Removal/Installation
Figure 401 (Sheet 5)

Copyright © 2008 by AEC, Inc. All rights reserved.

Effectivity: XXXX

XXXX

XXXX-MMS

44-10-05

3. MHR RF Receiver - Installation
(Ref. Figure 401)

A. References

- (1) 44-10-00, Cabin Management System

B. Access

- (1) Location Zone
 - (a) 200 - Upper Fuselage

C. Installation Procedure

- (1) Put the MHR RF receiver into position.
- (2) Secure the MHR RF receiver to the mounting brackets with [redacted] screws.
- (3) Remove protective covers from the electrical connectors.
- (4) Connect the electrical connectors.
- (5) Remove the DO-NOT-CLOSE tag(s) and close the following circuit breaker(s):

Panel	Circuit Breaker Title	Panel	Location
P6-1	IFE RF REMOTE	[redacted]	XXX
P6-11	FWD MCMU	XXX	XXX
P6-11	AFT MCMU	XXX	XXX

- (6) Do necessary tests.

D. Job Completion

- (1) Remove all equipment secured to the [redacted] and return the aircraft to its initial condition.

Effectivity: XXXX
XXXX XXXX-MMS