

# MODEL NUMBER COMPONENT MAINTENANCE MANUAL

## DESCRIPTION AND OPERATION

### 1. Description

#### A. General Information

The GX galley is located on the main deck in the forward cabin. The primary components of the GX galley are shown in [Figure 1](#). The GX galley provides food and beverage preparation facilities and storage.

The galley contains the components listed below:

- One (1) Circuit Breaker Panel
- One (1) Espresso Maker
- One (1) Microwave

The galley is composed of light-weight aluminum honeycomb panels, bonded together with adhesive. All visible components have decorative finishes or a bonded decorative laminate.

The galley is attached to the aircraft structure by floor fittings and tie rods. Most of the components are attached with standard hardware threaded into inserts potted in the panels. The bonded structure can be split into three main parts for easy removal and installation: the upper module ([Figure 1000X](#)), lower module ([Figure 1000X](#)), and the countertop ([Figure 1000X](#)).

#### B. Component Location

Refer to [Figure 1](#) and [Table 1](#).

PN	Ident	Description	Location
LED-XX-14-BI3-EXXJP	9003XX	GALLEY MAIN POWER Switch/Indicator, ON/AVAIL	GX CBP
9160007XXX-1-00	9014XX	Microwave Oven	Upper Module
HFE200X-XX	9016XX	Espresso Maker	Upper Module
LED-XX-17-HA1-EXXJN	9020XX	REMOTE WATER BOILER Indicator, PWR/INTLK	GX CBP
LED-XX-11-HAX-EXXGN	9021XX	REMOTE WATER BOILER Indicator, LOW/WATER	GX CBP
LED-XX-15-BA2-EXXJR	9022XX	REMOTE WATER BOILER Switch/indicator, ON/READY	GX CBP
LED-XX-11-BA2-EXXJJ	9025XX	WORK LIGHTS Switch/Indicator, BRIGHT/DIM	GX CBP
1525602-XXX	N/A	GX CBP	Upper Module

Component Location  
Table 1

**XX-XX-XX**

# MODEL NUMBER COMPONENT MAINTENANCE MANUAL

## C. Component Description

### (1) Espresso Maker

The espresso maker ([Figure 10001, Item 110](#)) is manufactured by XXXX. The unit is connected to the GX potable water supply and grey water drain systems. The unit can brew two single servings of espresso coffee (large or small) and froth milk at the same time. Indicators on the front panel identify the condition of the espresso maker: READY, NO WATER, or FAULT. Switches on the front panel provide a choice of small cup or large cup for each side of the unit, STEAM, DRAIN, and ON/OFF.

An equipment vent ([Figure 1000X, Item 30A](#)) with an air filter is installed behind the espresso maker. Refer to [Repair and Servicing, step 8.](#) for servicing of the equipment vent air filters.

### (2) GX Circuit Breaker Panel

The GX Circuit Breaker Panel (GX CBP) ([Figure 10001, Item 130](#)) contains circuit breakers, a GALLEY MAIN POWER switch/indicator, a WORK LIGHT switch/indicator, a REMOTE WATER BOILER switch/indicator, and two REMOTE WATER BOILER indicators.

**NOTE:** Refer to the applicable chapter of the aircraft maintenance manual supplement for GALLEY MAIN POWER switch/indicator information.

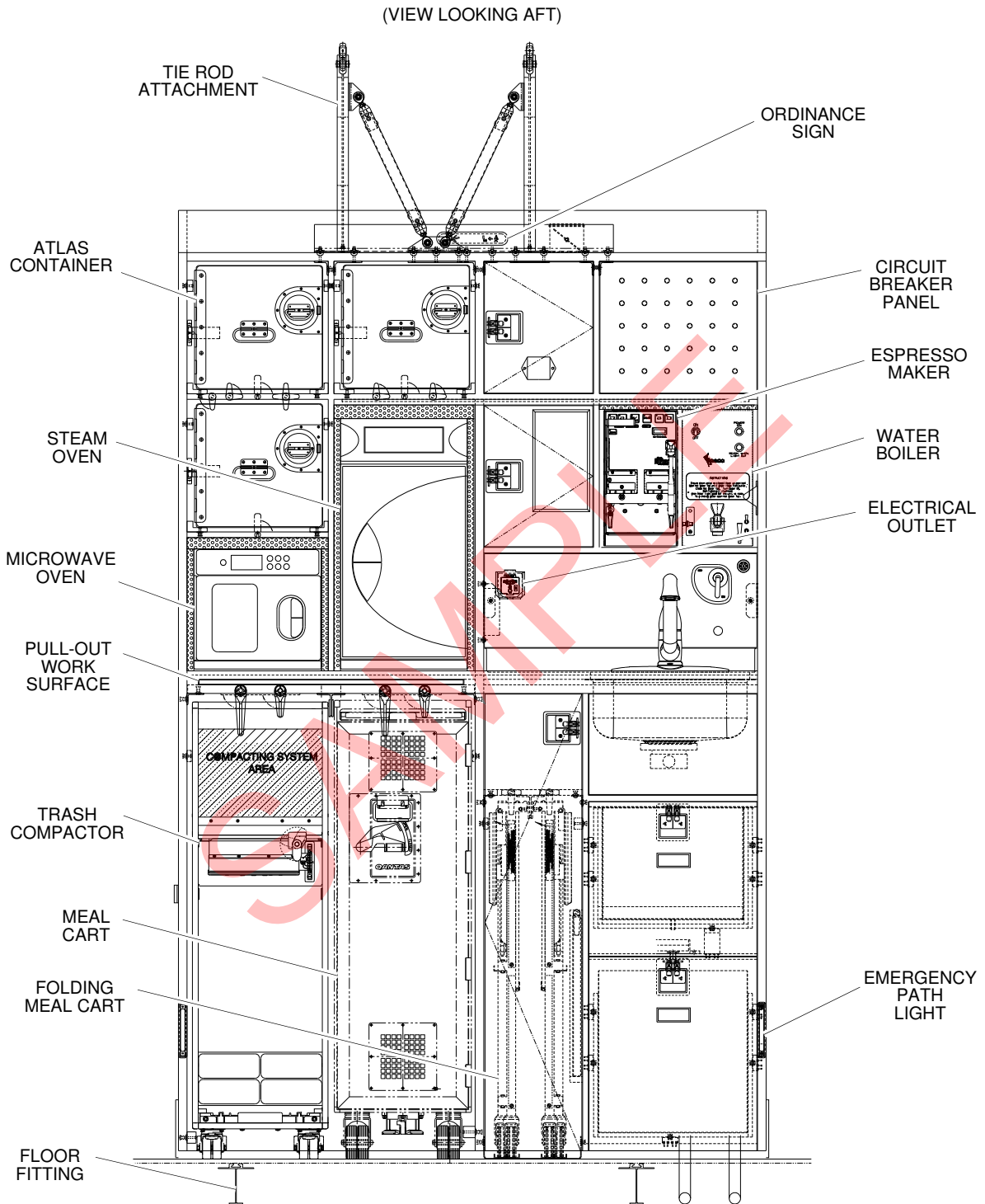
### (3) Microwave Oven

The microwave oven ([Figure 10001, Item 20](#)) is manufactured by XXXX. The microwave oven is easy to operate, having a clear and intuitive control module which allows cabin crew to set a number of pre-programmable cooking cycles. A keypad on the front panel controls the microwave oven operation.

An equipment vent ([Figure 1000X, Item 30B](#)) with an air filter is installed behind the microwave oven. Refer to [Repair and Servicing, step 8.](#) for servicing of the equipment vent air filters.

**XX-XX-XX**

# MODEL NUMBER COMPONENT MAINTENANCE MANUAL



GX Galley  
Figure 1

**XX-XX-XX**

# MODEL NUMBER COMPONENT MAINTENANCE MANUAL

## 2. Operation

### A. GX Galley Power

- (1) The GX galley operates from a 115VAC/400Hz power supply from the aircraft.  
The 115VAC/400Hz power supply is controlled through the following switch/indicator:

Panel	Switch/Indicator Title	Ident
GX CBP	GALLEY MAIN POWER	9003XX

- (2) The GALLEY MAIN POWER switch/indicator is connected through the following circuit breaker:

Panel	Circuit Breaker Title	Ident
GX CBP	GLY PWR CONT	9012XX

**NOTE:** Refer to the applicable chapter of the aircraft maintenance manual supplement for GALLEY MAIN POWER switch information.

### B. Espresso Maker

- (1) The espresso maker ([Figure 10001, Item 110](#)) operates from the 115VAC/400Hz power supply.  
The 115VAC/400Hz power supply for the espresso maker is connected through the following circuit breaker:

Panel	Circuit Breaker Title	Ident
GX CBP	ESPRESSO MAKER	9006XX

- (2) Control of the espresso maker operation is from the unit itself.

**NOTE:** Refer to the OEM manual for operating instructions (refer to [Inspection/Check, step 5.](#)).

### C. Microwave Oven

- (1) The microwave oven ([Figure 10001, Item 20](#)) operates from the 115VAC/400Hz power supply.  
The 115VAC/400Hz power supply for the microwave oven is connected through the following circuit breaker:

Panel	Circuit Breaker Title	Ident
GX CBP	MICROWAVE	9005XX

- (2) Control of the microwave oven operation is from the unit itself.

**NOTE:** Refer to the OEM manual for operating instructions (refer to [Inspection/Check, step 5.](#)).

**XX-XX-XX**

# MODEL NUMBER COMPONENT MAINTENANCE MANUAL

## DISASSEMBLY

### 1. General

Complete disassembly of the galley major components is neither desired nor recommended. Disassemble the components only to the point necessary to make the repair or replace defective parts.

### 2. Procedure

A. To remove the espresso maker and rail (refer to [Figure 10001](#) and [Figure 1000X](#)):

- (1) Open the following circuit breaker and attach a DO-NOT-CLOSE tag:

Panel	Circuit Breaker Title	Ident
GX CBP	ESPRESSO MAKER	9006XX

- (2) Close the potable water supply shut-off valve ([Figure 1000X, Item 20](#)) by moving the lever ([Figure 1000X, Item 30](#)) to the OFF position.
- (3) Open the drain stop valve ([Figure 1000X, Item 40](#)) by pulling the control cable ([Figure 1000X, Item 50](#)).
- (4) Drain the espresso maker ([Figure 10001, Item 110](#)), as necessary.  
**NOTE:** Refer to the OEM manual for operating instructions (refer to [Inspection/Check, step 5.](#)).
- (5) Remove the espresso maker from the rail ([Figure 10001, Item 110](#)).  
**NOTE:** Refer to the OEM manual for removal instructions (refer to [Inspection/Check, step 5.](#)).
- (6) Disconnect the electrical and plumbing connections from the rail and install dust caps on all open connections.
- (7) Remove the fasteners ([Figure 10001, Items 80, 90, 100](#)) that secure the rail to the galley.
- (8) Remove the rail.

B. To remove the microwave oven (refer to [Figure 10001](#)):

- (1) Open the following circuit breaker and attach a DO-NOT-CLOSE tag:

Panel	Circuit Breaker Title	Ident
GX CBP	MICROWAVE	9005XX

- (2) Remove the fasteners ([Figure 10001, Items 30, 40, 50](#)) that secure the microwave oven ([Figure 10001, Item 20](#)) to the galley.
- (3) Slide the microwave oven forward to access the electrical connections.
- (4) Disconnect the electrical connections and install dust caps on all open connections.
- (5) Remove the microwave oven.

**XX-XX-XX**

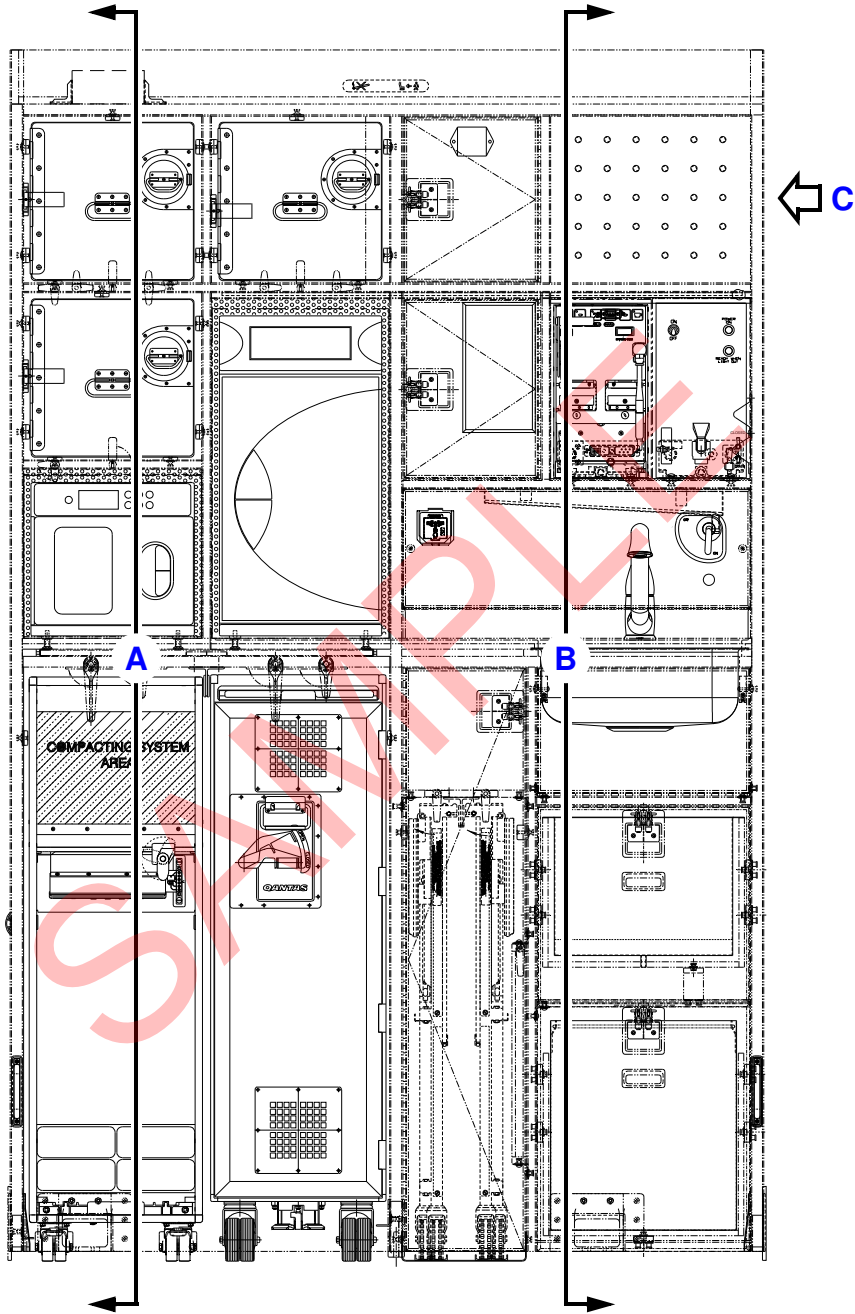
## MODEL NUMBER COMPONENT MAINTENANCE MANUAL

- C. To remove the GX galley circuit breaker panel assembly (refer to [Figure 10001](#)):
- (1) Make sure that all power is removed from the GX galley.
  - (2) Remove the screws ([Figure 10001, Item 140](#)) that secure the CBP assembly ([Figure 10001, Item 130](#)) to the galley.
  - (3) Slide the CBP assembly forward to access the wiring.
  - (4) Disconnect the wiring and remove the CBP assembly.
  - (5) Disconnect the wire bundles from the aircraft and install dust caps on all open electrical connections.

SAMPLE

# MODEL NUMBER COMPONENT MAINTENANCE MANUAL

(VIEW LOOKING AFT)



GX Galley Component Assy  
Figure 10001 (Sheet 1)

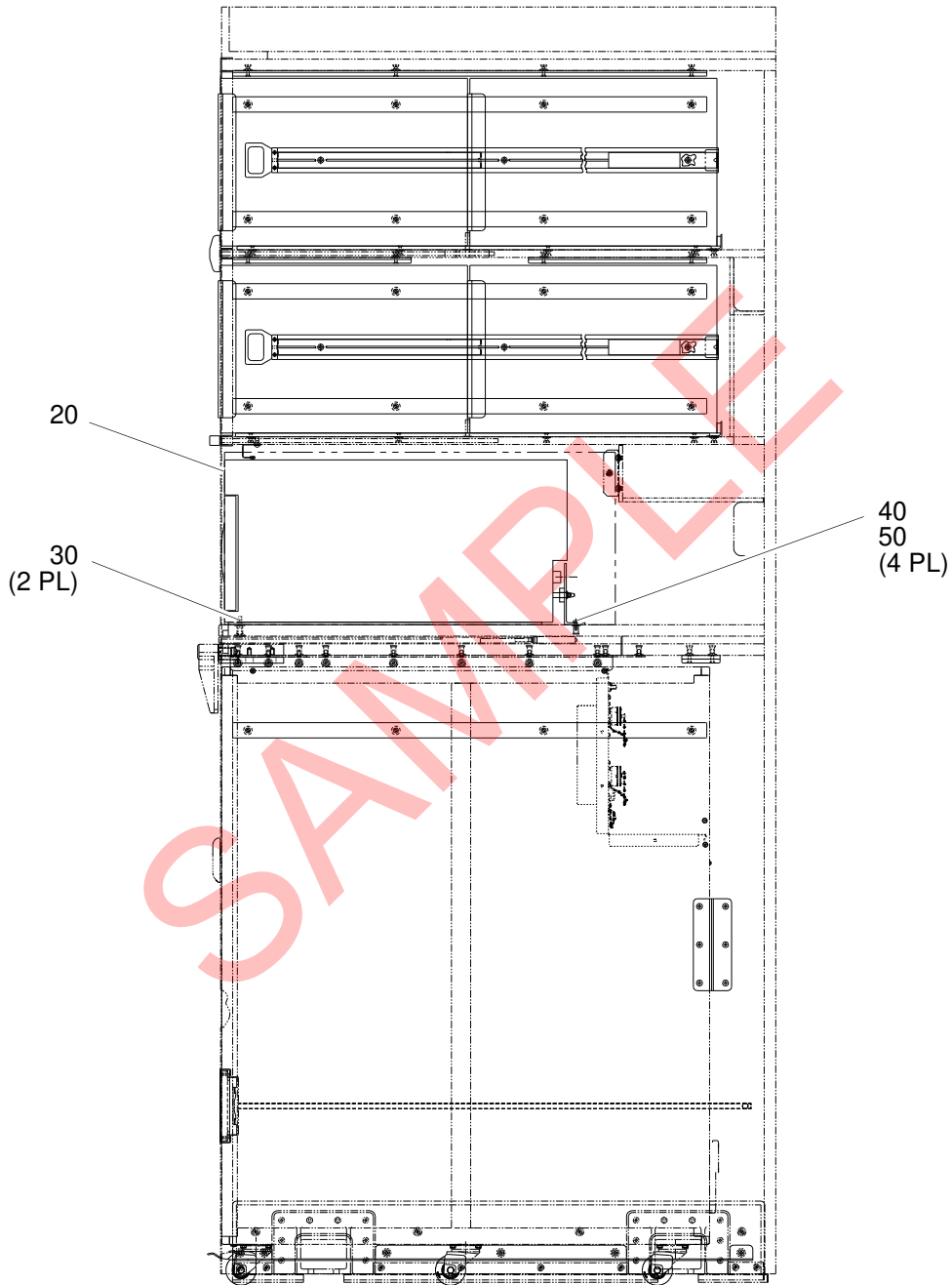
**XX-XX-XX**

**MODEL NUMBER  
COMPONENT MAINTENANCE MANUAL**

**A**



(VIEW LOOKING OUTBOARD)



**GX Galley Component Assy**  
Figure 10001 (Sheet 2)

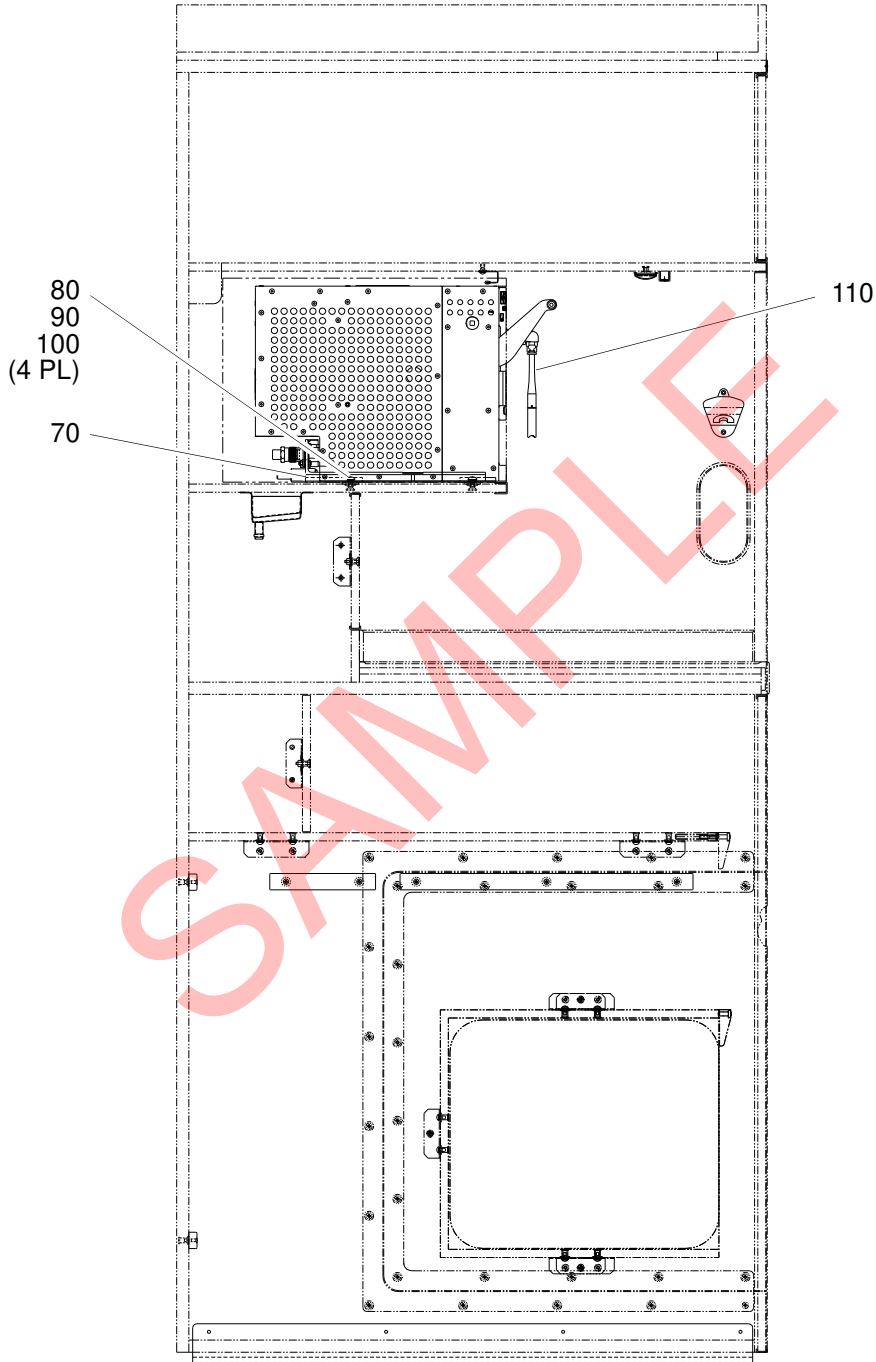
**XX-XX-XX**



**MODEL NUMBER  
COMPONENT MAINTENANCE MANUAL**



(VIEW LOOKING OUTBOARD)

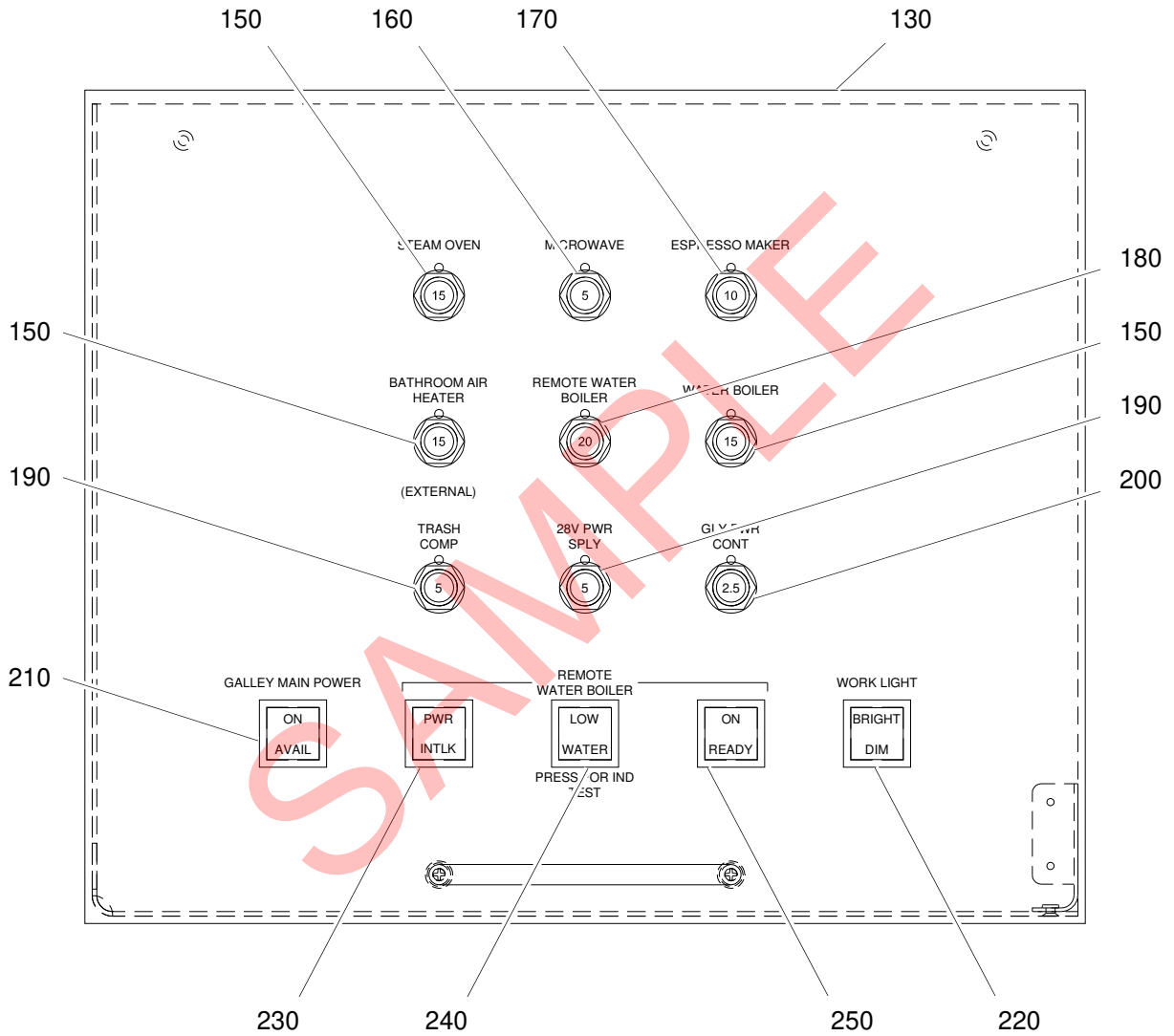


**GX Galley Component Assy**  
Figure 10001 (Sheet 3)

**XX-XX-XX**

# MODEL NUMBER COMPONENT MAINTENANCE MANUAL

**C**



GX Galley Component Assy  
Figure 10001 (Sheet 4)

**XX-XX-XX**

**MODEL NUMBER  
COMPONENT MAINTENANCE MANUAL**

FIG ITEM	PART NUMBER	AIRLINE PART NO.	NOMENCLATURE							EFFECT FROM TO	UNITS PER ASSY	
			1	2	3	4	5	6	7			
10001												
-1	200X172502-001			<b>GX GALLEY COMPONENT ASSY</b> (Refer to <b>Figure 10002</b> for NHA)								RF
-10	200X172504-011			. INSTL - MICROWAVE OVEN								1
20	9160007XXX-1-00			. . MICROWAVE OVEN (9014XX) (VK90XX)								1
				ATTACHING PARTS								
30	MS24694-S107			. . SCREW								2
40	MS27039-1-05			. . SCREW								4
50	NAS1149F0332P			. . WASHER								4
				* * *								
-60	200X172503-011			. INSTL - ESPRESSO MAKER								1
70	CA7-01			. . RAIL ASSEMBLY (VAEAXX)								1
				ATTACHING PARTS								
80	NAS623-4-3			. . SCREW								4
90	NAS1149F0432P			. . WASHER								4
100	1001525543-101			. . SPACER								4
				* * *								
110	HFE200X-XX			. . ESPRESSO MAKER (9016XX) (VAEAXX)								1
-120	200X172507-001			. CB PANEL INSTL - GX GALLEY								1
130	1525602-XXX			. . CB PANEL ASSY - GX GALLEY								1
				ATTACHING PARTS								
-140	NAS514P1032-18			. . SCREW								2
				* * *								

- ITEM NOT ILLUSTRATED

**XX-XX-XX**

**MODEL NUMBER  
COMPONENT MAINTENANCE MANUAL**

FIG ITEM	PART NUMBER	AIRLINE PART NO.	NOMENCLATURE							EFFECT FROM TO	UNITS PER ASSY
			1	2	3	4	5	6	7		
10001											
150	6TCB14-15		.	.	CIRCUIT BREAKER, 15A, 3PH (9004XX 9007XX 9011XX) (V826XX)						3
160	6TCB14-5		.	.	CIRCUIT BREAKER, 5A, 3PH (9005XX) (V826XX)						1
170	6TCB14-10		.	.	CIRCUIT BREAKER, 10A, 3PH (9006XX) (V826XX)						1
180	6TCB14-20		.	.	CIRCUIT BREAKER, 20A, 3PH (9008XX) (V826XX)						1
190	MS3320-5		.	.	CIRCUIT BREAKER, 5A, 1PH (9009XX 9010XX) (V826XX)						2
200	MS3320-2.5		.	.	CIRCUIT BREAKER, 2.5A, 1PH (9012XX) (V826XX)						1
210	LED-XX-14-BI3-EXXJP		.	.	SWITCH/INDICATOR, GALLEY MAIN POWER, ON/AVAIL (9003XX) (V322XX)						1
220	LED-XX-11-BA2-EXXJJ		.	.	SWITCH/INDICATOR, WORK LIGHTS, BRIGHT/DIM (9025XX) (V322XX)						1
230	LED-XX-17-HA1-EXXJN		.	.	INDICATOR, PWR/INTLK (9020XX) (V322XX)						1
240	LED-XX-11-HAX-EXXGN		.	.	INDICATOR, LOW/WATER (9021XX) (V322XX)						1
250	LED-XX-15-BA2-EXXJR		.	.	SWITCH/INDICATOR, ON/READY (9022XX) (V322XX)						1

- ITEM NOT ILLUSTRATED

**XX-XX-XX**