

Power Supply Unit Install  
Figure 1

Copyright © 2020 by AEC, Inc. All rights reserved.



ILLUSTRATED PARTS CATALOG SUPPLEMENT

FIG ITEM	PART NUMBER	NOMENCLATURE 1 2 3 4 5 6 7	EFFECT FROM TO	UNITS PER ASSY
1		POWER SUPPLY UNIT INSTALL		
-1	DWG NUMBER	POWER SUPPLY UNIT INSTALL	XXX	RF
5	ABCD1234-001	. BONDING JUMPER V01234	XXX	1
		ATTACHING PARTS		
10	BACS12GU3K9	. SCREW V01234	XXX	1
15	MS35338-43	. WASHER V01234	XXX	1
20	NAS1149D0332H	. WASHER V01234	XXX	1
25	NAS1149D0316H	. WASHER V01234	XXX	1
30	BACN10YR4CD	. NUT V01234	XXX	1
35	NAS1149D0416H	. WASHER V01234	XXX	1
		***		
40	LRU-1234	. POWER SUPPLY UNIT V01234	XXX	1
		ATTACHING PARTS		
45	NAS1801-3-7	. SCREW V01234	XXX	3
50	NAS1149D0332K	. WASHER V01234	XXX	3
		***		
55	ABCD1234-001	. EQUIPMENT PALLET ASSEMBLY V01234	XXX	1
		ATTACHING PARTS		
60	NAS1801-3-15	. SCREW V01234	XXX	6
65	NAS1149D0332K	. WASHER V01234	XXX	6
70	BACN10YD2	. CLIP NUT V01234	XXX	6
		***		
75	ABCD1234-123	. . DRIP SHIELD V01234	XXX	1
		ATTACHING PARTS		
80	NAS1801-3-9	. . SCREW V01234	XXX	4
85	NAS1149D0332K	. . WASHER V01234	XXX	4

- ITEM NOT ILLUSTRATED

Copyright © 2020 by AEC, Inc. All rights reserved.

23-15-63-01



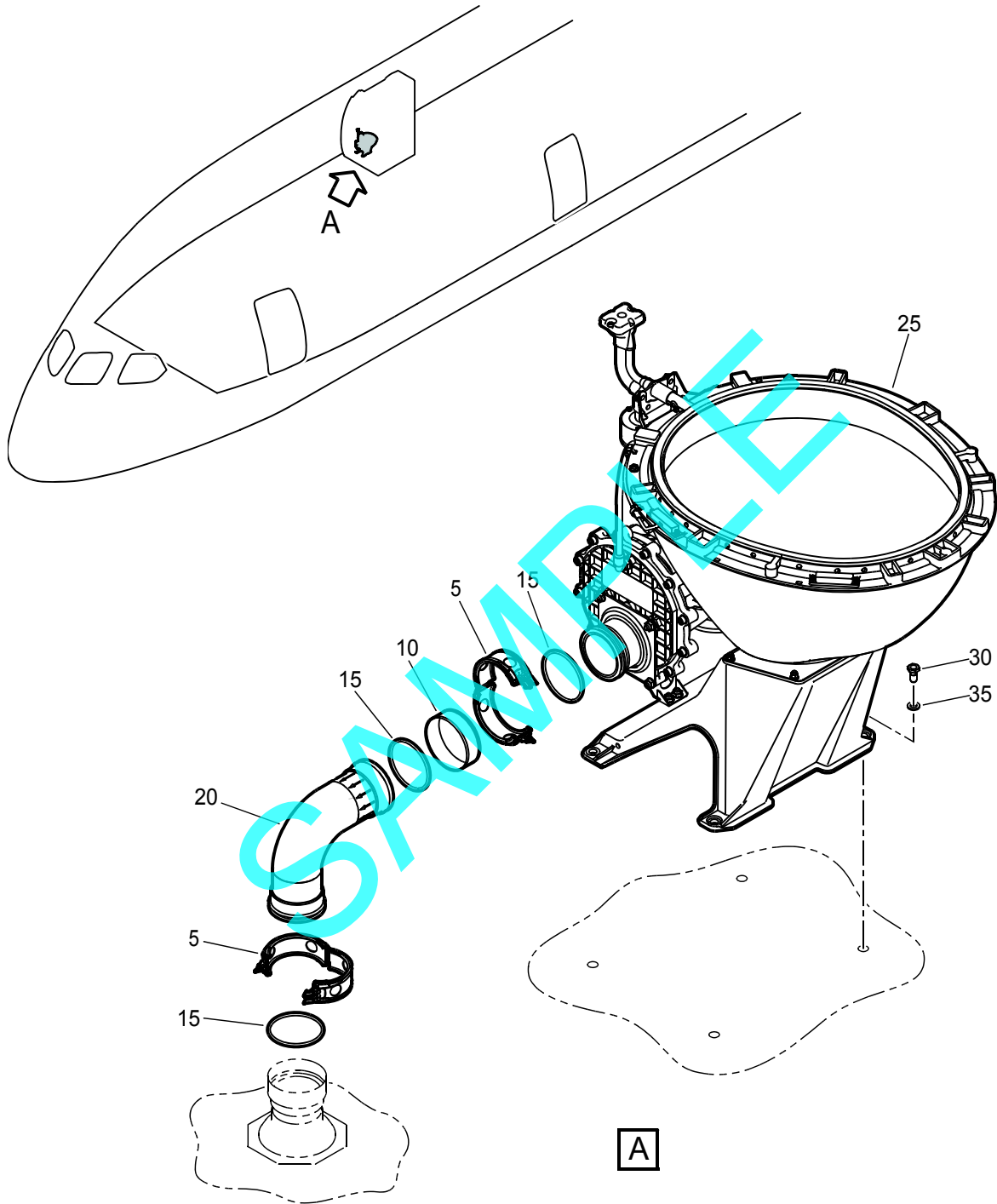
ILLUSTRATED PARTS CATALOG SUPPLEMENT

FIG ITEM	PART NUMBER	NOMENCLATURE					EFFECT FROM TO	UNITS PER ASSY
		1	2	3	4	5		
1								
90	NAS1829C6J48	.	.	POST		V01234	XXX	4
95	NAS1829C6J28	.	.	POST		V01234	XXX	6
100	BACS31H2B	.	.	SUPPORT		V01234	XXX	4
				***				
105	ABCD1234-123	.		CHANNEL SPACER		V01234	XXX	2
				ATTACHING PARTS				
110	NAS1801-3-9	.		SCREW		V01234	XXX	6
115	NAS1149D0332K	.		WASHER		V01234	XXX	6
120	BACN10YD3	.		CLIP NUT		V01234	XXX	6
				***				
125	MS35650-3255T	.		NUT		V01234	XXX	1
130	NAS1149D0416H	.		WASHER		V01234	XXX	2
135	MS35338-44	.		WASHER		V01234	XXX	1
140	BACS12HN4-12	.		SCREW		V01234	XXX	1

SAMPLE

Copyright © 2020 by AEC, Inc. All rights reserved.

- ITEM NOT ILLUSTRATED



Lavatory Toilet Install  
Figure 1

Copyright © 2020 by AEC, Inc. All rights reserved.



ILLUSTRATED PARTS CATALOG SUPPLEMENT

FIG ITEM	PART NUMBER	NOMENCLATURE	EFFECT	UNITS
			FROM TO	PER ASSY
1		LAVATORY TOILET INSTALL		
-1	DWG NUMBER	LAVATORY TOILET INSTALL	XXX	RF
5	AS1655A32	. COUPLING MISCELLANEOUS DATA: PART OF VENDOR KIT PN VENDOR-100-13	XXX	2
10	AS1654T32	. SLEEVE MISCELLANEOUS DATA: PART OF VENDOR KIT PN VENDOR-100-13	XXX	1
15	MS29513-226	. O-RING MISCELLANEOUS DATA: PART OF VENDOR KIT PN VENDOR-100-13	XXX	3
20	ABCD-100-001	. DISCHARGE ELBOW MISCELLANEOUS DATA: PART OF VENDOR KIT PN VENDOR-100-13	XXX	1
25	ABCD-100-002	. TOILET MISCELLANEOUS DATA: PART OF VENDOR KIT PN VENDOR-100-13	XXX	1
		ATTACHING PARTS		
30	NAS6204-3	. BOLT	XXX	4
35	NAS1149E0463R	. WASHER	XXX	8
		* * *		

- ITEM NOT ILLUSTRATED

Copyright © 2020 by AEC, Inc. All rights reserved.

38-31-02-01

FIG ITEM	PART NUMBER	NOMENCLATURE 1 2 3 4 5 6 7	EFFECT FROM TO	UPA
		FIGURE 44-30-04-01: PROGRAMMABLE BASE TRANSCEIVER STATION INSTALL		
-001	ABCD1234-1001	. PROGRAMMABLE BASE TRANSCEIVER STATION INSTALL SUPPLIER CODE: V01234	XXX	RF
5	LRU-1234	. . PROGRAMMABLE BASE TRANSCEIVER STATION SUPPLIER CODE: V01234  ATTACHING PARTS	XXX	1
10	82-90-260-20	. . QUARTER-TURN FASTENER SUPPLIER CODE: V01234  -----*	XXX	4
15	ABCD1234-001	. . BONDING JUMPER SUPPLIER CODE: V01234  ATTACHING PARTS	XXX	1
20	BACN10YR4CD	. . NUT SUPPLIER CODE: V01234	XXX	1
25	NAS1149D0416H	. . WASHER	XXX	3

Copyright © 2020 by AEC, Inc. All rights reserved.

Applicable to:

44-30-04-01

XXX

FIG ITEM	PART NUMBER	NOMENCLATURE 1 2 3 4 5 6 7	EFFECT FROM TO	UPA
30	MS35650-3255T	. . NUT	XXX	1
35	MS35338-44	. . WASHER	XXX	1
40	BACS12HN4-12	. . SCREW SUPPLIER CODE: V01234	XXX	1
45	NAS1149D0316H	. . WASHER	XXX	1
50	BACN10YR3CD	. . NUT SUPPLIER CODE: V01234  -----*	XXX	1
55	ABCD1234-1000	. . EQUIPMENT PALLET ASSEMBLY SUPPLIER CODE: V01234  ATTACHING PARTS	XXX	1
60	NAS1801-3-15	. . SCREW	XXX	6
65	NAS1149D0332K	. . WASHER	XXX	6

Copyright © 2020 by AEC, Inc. All rights reserved.

Applicable to:

44-30-04-01

XXX

FIG ITEM	PART NUMBER	NOMENCLATURE						EFFECT FROM TO	UPA
		1	2	3	4	5	6		
70	BACN10YD2	. .	CLIP NUT					XXX	6
			SUPPLIER CODE:						
			V01234						
			-----*						
75	ABCD1234-2000	. . .	COMPOSITE PALLET ASSEMBLY					XXX	1
			SUPPLIER CODE:						
			V01234						
80	ABCD1234-3000	. . .	MOUNTING PLATE					XXX	1
			SUPPLIER CODE:						
			V01234						
			ATTACHING PARTS						
85	NAS1801-3-7	. . .	SCREW					XXX	4
90	NAS1149D0332K	. . .	WASHER					XXX	4
			-----*						
95	ABCD1234-4000	. . .	DRIP SHIELD					XXX	1
			SUPPLIER CODE:						
			V01234						
			ATTACHING PARTS						
100	NAS1801-3-9	. . .	SCREW					XXX	4
105	NAS1149D0332K	. . .	WASHER					XXX	4

Copyright © 2020 by AEC, Inc. All rights reserved.

Applicable to:

44-30-04-01

XXX



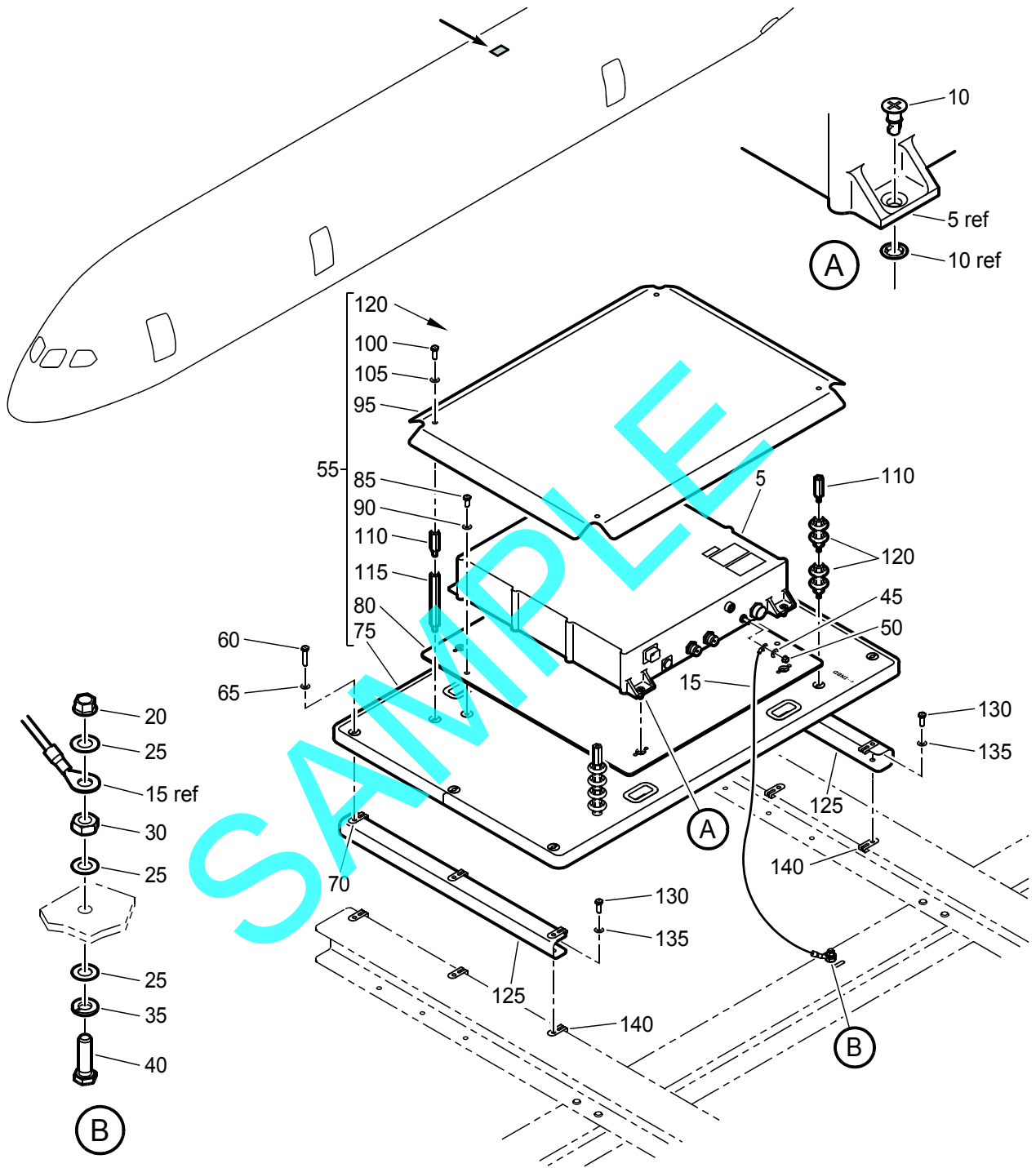
FIG ITEM	PART NUMBER	NOMENCLATURE 1 2 3 4 5 6 7	EFFECT FROM TO	UPA
110	NAS1829C6J16	. . . POST	XXX	4
115	NAS1829C6J48	. . . POST	XXX	2
120	BACS31H2B	. . . SUPPORT SUPPLIER CODE: V01234  -----*	XXX	4
125	ABCD1234-5000	. . CHANNEL SPACER SUPPLIER CODE: V01234  ATTACHING PARTS	XXX	2
130	NAS1801-3-9	. . SCREW	XXX	6
135	NAS1149D0332K	. . WASHER	XXX	6
140	BACN10YD3	. . CLIP NUT SUPPLIER CODE: V01234  -----*	XXX	6

Copyright © 2020 by AEC, Inc. All rights reserved.

Applicable to:

44-30-04-01

XXX



Programmable Base Transceiver Station Install  
Figure 1

Copyright © 2020 by AEC, Inc. All rights reserved.

Applicable to:  
XXX

44-30-04-01